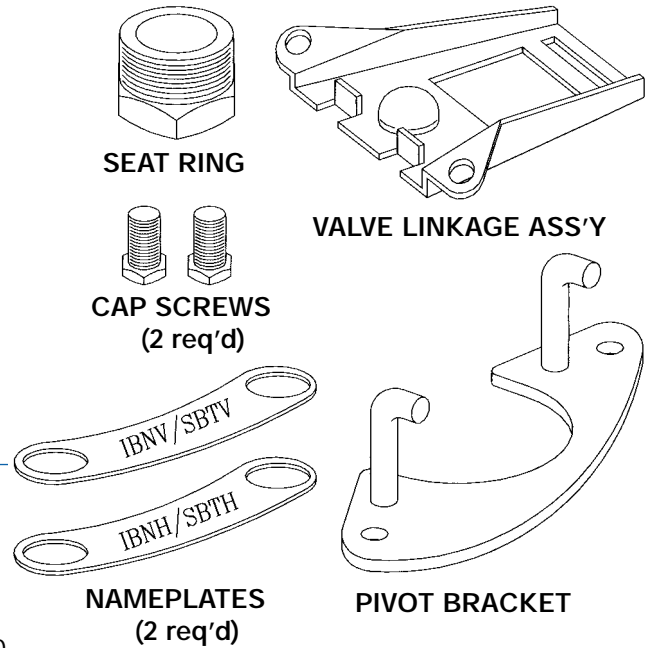


DURA-FLO INVERTED BUCKET STEAM TRAPS PCA REPAIR KITS

Quick, easy and economical
Simplifies and standardizes inventory
All stainless steel corrosion resistant internal parts
Hardened stainless steel condensate valves and seats
for extra long life

MODELS

- 80S—Orifice ratings 20, 80, 125, 150
- 81S & 21—Orifice ratings 15, 30, 70, 125, 200, 250
- 82S & 22—Orifice ratings 15, 30, 70, 125, 200, 250
- 83S & 23—Orifice ratings 15, 30, 60, 80, 125, 180, 250
- 84 & 24—Orifice ratings 15, 30, 60, 80, 125, 180, 250
- 85 & 25—Orifice ratings 15, 30, 60, 100, 130, 180, 225, 250
- 86 & 26—Orifice ratings 15, 25, 40, 60, 80, 125, 180, 250



Supplied in a labeled, clear plastic bag.

FTN SERIES FLOAT & THERMOSTATIC STEAM TRAPS REPAIR KITS

High quality replacement kits
Rebuild existing F & T Traps far more economically than
replacement
Quick, easy and economical
Simplifies and standardizes inventory
All stainless steel corrosion resistant internal parts
Hardened stainless steel condensate valves and seats
for extra long life
Repairs other leading manufacturers' F & T Traps

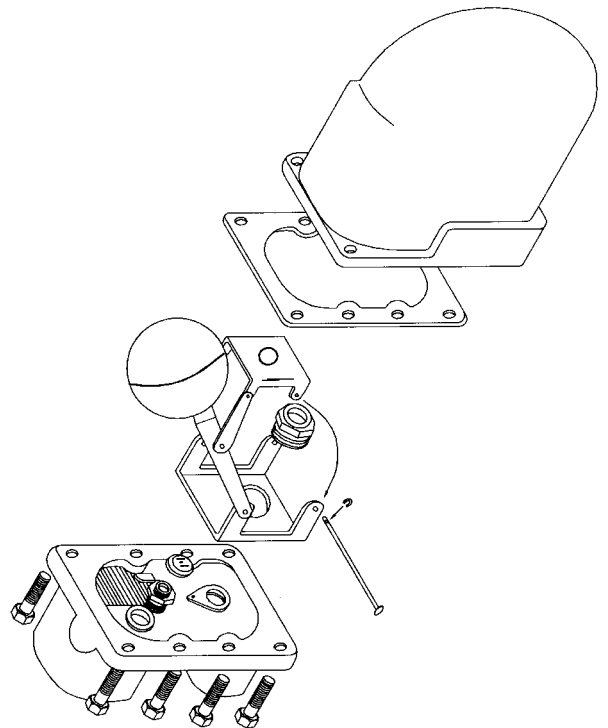
MODELS

- FTN-15 available in ¾", 1", 1¼", 1½" and 2"
- FTN-30 available in ¾", 1", 1¼", 1½" and 2"
- FTN-75 available in ¾", 1", 1¼", 1½" and 2"
- FTN-125 available in ¾", 1", 1¼", 1½" and 2"

All ¾" and 1" kits as well as 1¼" FTN-15 and FTN-30 kits
supplied with cover assembly.

All 1¼" FTN-75 and FTN-125 kits as well as all 1½" and 2"
kits supplied as mechanism complete.

See Capacity Charts on page 37



Consult factory for latest crossover fitments.